

Projector Wired LAN

Version 2.01

Keep this manual in a safe place future reference.

- PJLink trademark and logo are trademarks applied for registration or are already registered in Japan, the United States of America and other countries and areas.
- Crestron is a registered trademark of Crestron Electronics, Inc. of the United States.
- AMX is a registered trademark of AMX LLC of the United States.
- Extron is a registered trademark of Extron Electronics of the United States.
- Other company and product names may be registered product names or trademarks of their respective owners.

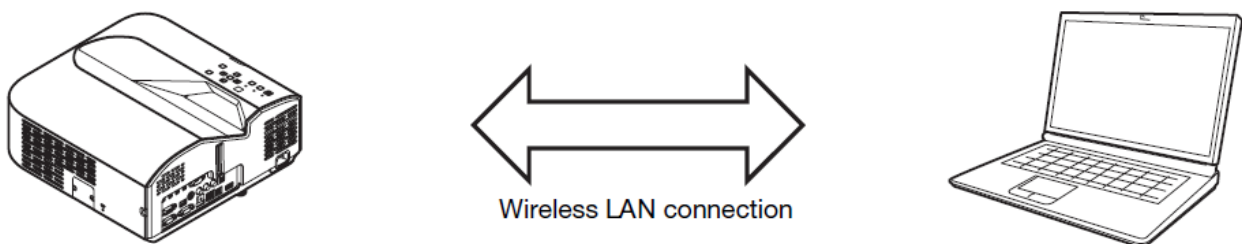
- The contents of this manual are subject to change without notice.
- This manual is published under strict quality control standards. Should you notice any errors or other problems, please feel free to contact us about them.
- Copying of this manual, either in part or its entirety is forbidden. You are allowed to use these instructions for your own personal use. Any other use is forbidden without the permission of CASIO COMPUTER CO., LTD.
- CASIO COMPUTER CO., LTD. shall not be held liable for any lost profits or claims from third parties arising out of the use of this product or this manual.
- CASIO COMPUTER CO., LTD. shall not be held liable for any loss or lost profits due to loss of data due to malfunction or maintenance of this product, or due to any other reason.
- The sample screens shown in this manual are for illustrative purposes only, and may not be exactly the same as the screens actually produced by the product.
- Unless specifically stated otherwise, all illustrations in this manual show the XJ-UT310WN projector.

A XJ-M146, XJ-M156, XJ-246, XJ-M256, or XJ-UT310WN projector (hereinafter referred to collectively as "the Projector" or "this Projector") can be controlled from an external device via its LAN port.

Connection

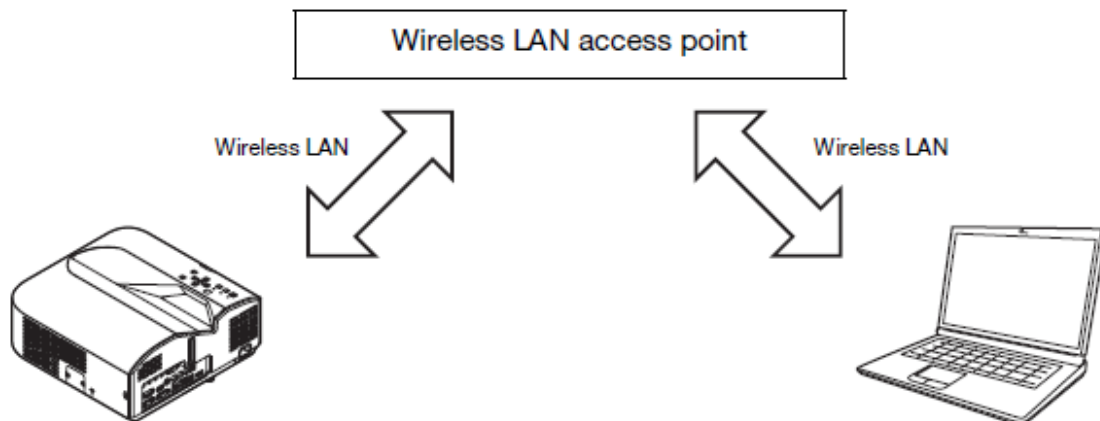
Use a LAN cable to connect the Projector to a network device with which you want to establish a wired LAN connection. For details about how to connect, see "Connecting the Projector to a Computer via a Wired LAN" in your projector's user's guide (Network Function Guide).

- Direct connection between the Projector and a network device



For the above type of connection, use a cross type LAN cable.

- Connection between the Projector and a network device via a router



Supported Devices and Standards

Web Browser

This Projector supports control using a computer web browser.

For details about connection, see "Using the Projector Admin Pages" in your Projector's user's guide (Network Function Guide).

PJLink

This Projector supports the PJLink Class1 standard formulated by the Japan Business Machine

and Information System Industries Association (JBMIA).

For detailed information about PJLink, visit the website below.

URL: <http://pjlink.jbmia.or.jp/english>

- The following shows input switching instruction and input switching query parameters and their corresponding input sources.

Parameter	Input Source	COMPUTER Terminal Setting	Remarks
11	Computer	Auto	On the XJ-UT310WN, the input source is Computer 1.
12	Computer	RGB	"
13	Computer	Component	"
14	Computer2	Auto	XJ-UT310WN only
15	Computer2	RGB	"
16	Computer2	Component	"
21	Video		
22	S-video		
31	HDMI		
42	File Viewer		
43	CASIO USB Tool		
44	Network		
45	USB Display		

- Image only mute is not supported by the AV mute instruction and AV mute state query
- The cover open error and filter error are not supported by the error state query.
- A projector name query returns the projector name specified on the System Admin Page. For information about the System Admin Page, see "To configure Control Panel page network settings" in your Projector's user's guide (Network Function Guide).
- A manufacturer name query returns **CASIO**.
- A device name query returns **XJ-NP**.
- The password used for the connection authentication process is the same as the System Admin page password. The Projector can be configured to enable or disable authentication. To do so, use [Network Settings]-[PJLINK Authentication] on the Projector's Setup Menu.

Eable: PJLink connection authentication enabled. (Initial default)

Disable: PJLink connection authentication disabled.

For information about the functions of other commands, see the PJLink specifications issued by JBMIA.

Crestron

This Projector supports Crestron Electronics controller and software (RoomView®) commands.

For detailed information and information about downloading RoomView®, visit the website below.

URL <http://www.crestron.com/microsites/get-roomview>

When using the Crestron controller, the controller IP address and other settings must be configured on the Projector. Settings are configured on the Crestron Control page shown below, which appears when you click [Crestron Control] on the System Admin page.

The screenshot shows the 'Crestron Control' page within the 'Network Presentation System' interface. The breadcrumb trail is 'CASIO Projector > Projector Admin > Crestron Control'. A 'Logout' button is in the top right. On the left is a navigation menu with 'Crestron Control' selected. The main content area has a table for settings:

Crestron Control	IP Address	<input type="text"/>
	IP ID	<input type="text" value="5"/>
	Port	<input type="text" value="41794"/>

At the bottom right of the table are 'Apply' and 'Cancel' buttons. A copyright notice at the bottom reads: 'Copyright © 2014 CASIO COMPUTER CO., LTD. All Rights Reserved.'

- IP address Specifies the controller IP address.
- IP ID Specifies the controller IP ID.
- Port Specifies the number of the port being used. (Always 41794)

Enter the applicable information for each item and then click the [Apply] button. This will restart the network function and apply the new settings.

AMX

This Projector supports the AMX controller and Device Discovery. Commands used for control are PJLink standard commands.

For detailed information, visit the website below.

URL: <http://www.amx.com/>

Extron

This Projector supports the Extron controller. Commands used for control are PJLink standard commands.

For detailed information, visit the website below.

URL: <http://www.extron.com/>

Caution

- The Projector can be configured to enable or disable power via wired LAN on from the standby state. To do so, use [Network Settings]-[Remote On] on the Projector's Setup Menu.

Enable: Power on enabled.

Disable: Power on disabled. (Initial default)

Initializing network settings or performing a "Restore All Defaults" operation with the Setup Menu will cause this setting to change to "Disabled". If you are operating the Projector using a wired LAN setting, be sure to change this setting back to "Enabled" after initialization.

CASIO®

CASIO COMPUTER CO.,LTD.
6-2, Hon-machi 1-chome
Shibuya-ku, Tokyo 151-8543, Japan

NGN160629E-B